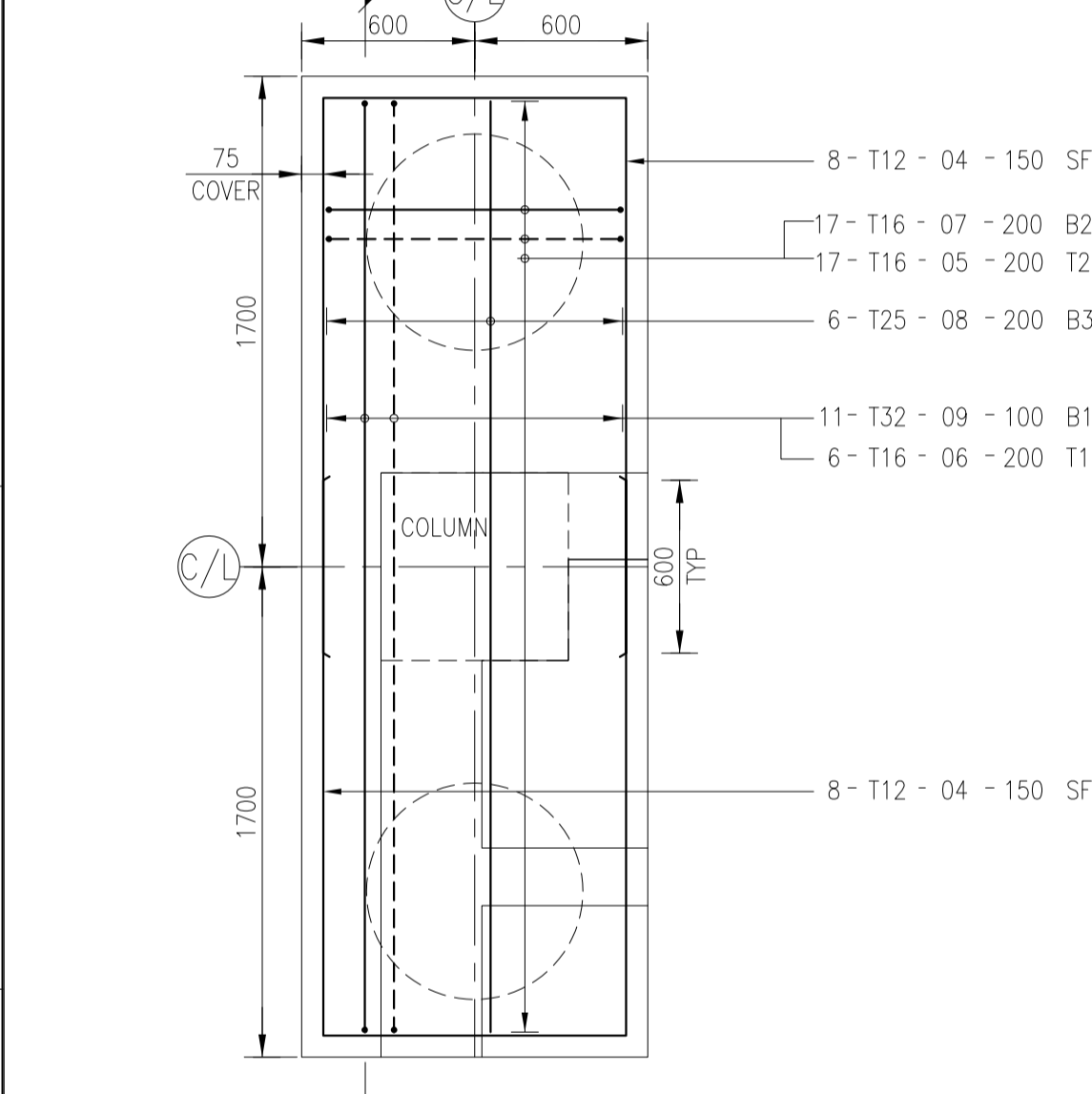


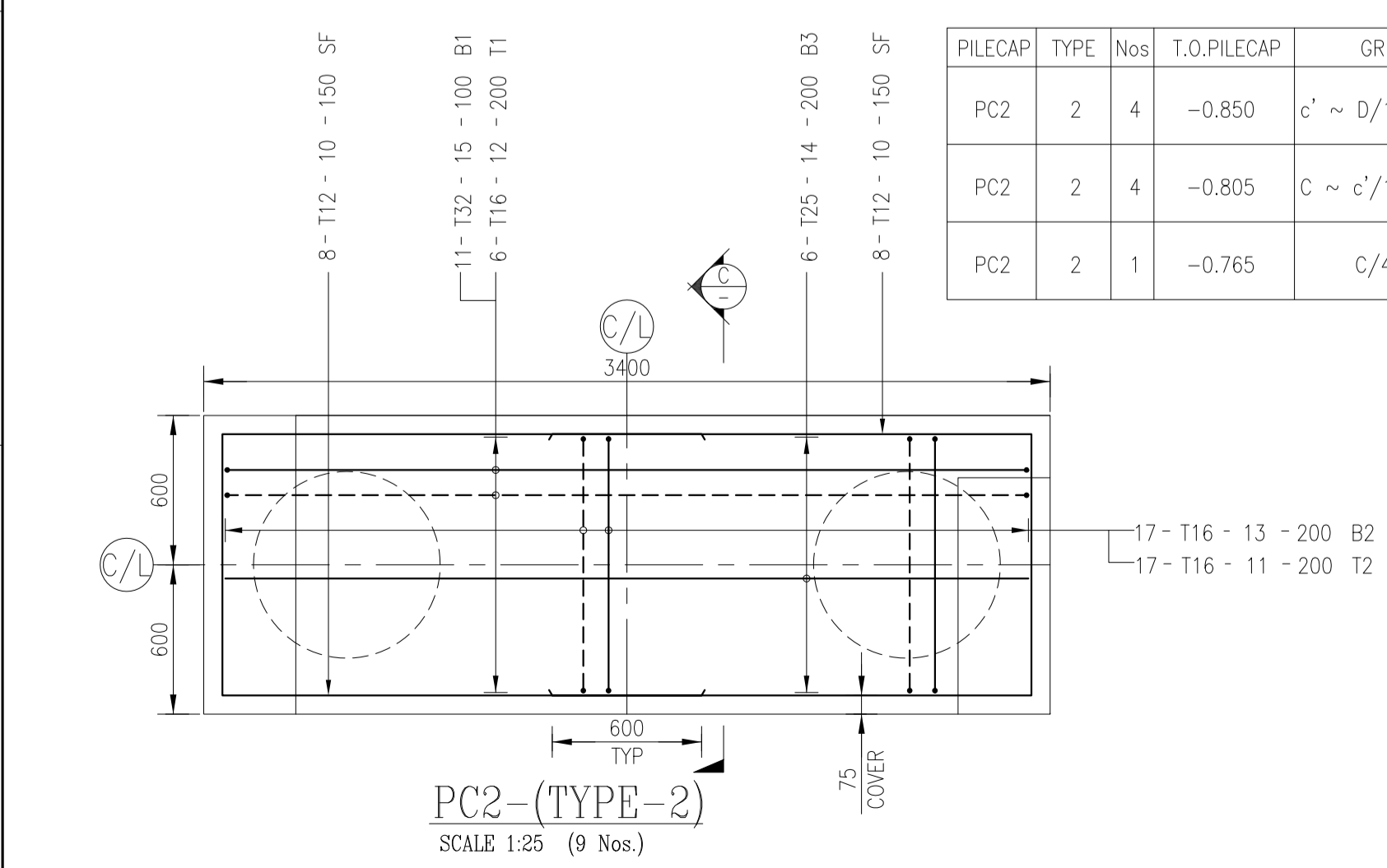
PILECAP	Nos	T.O.PILECAP	GRID
PC1	2	-0.650	3A'-6'/9
PC1	2	-0.700	2A'-6'/9
PC1	2	-0.750	1A'-6'/9
PC1	1	-0.700	2A'-8'-8'
PC1	1	-0.750	1A'-8'-8'
PC1	5	-0.800	b1-4 TO 8
PC1	1	-0.800	a2'-9
PC1	1	-0.750	a3-1

PC1
SCALE 1:25 (15 Nos)

PILECAP	TYPE	Nos	T.O.PILECAP	GRID
PC2	1	5	-0.875	D/1, D/3, D/5 D/7 & D/9
PC2	1	1	-0.820	C'/1
PC2	1	1	-0.765	C'/1

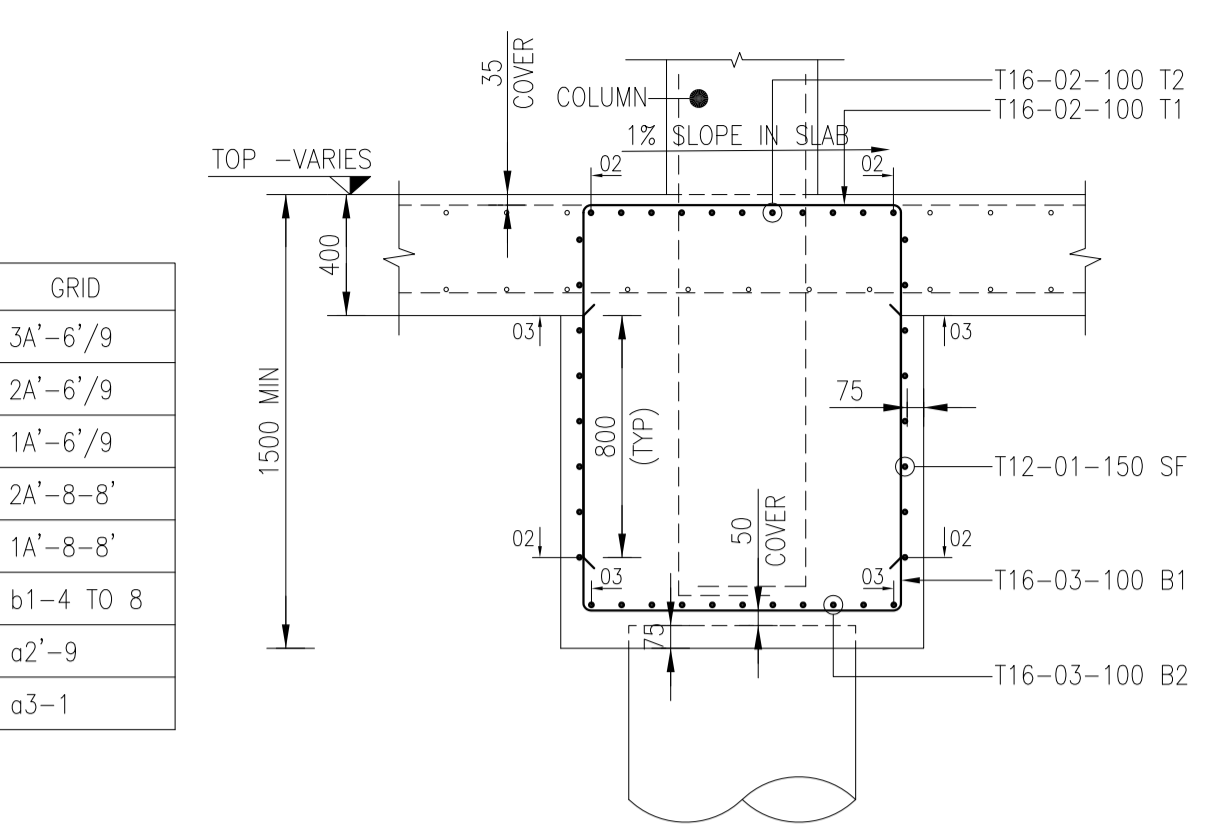


PC2-(TYPE-1)
SCALE 1:25 (7 Nos.)

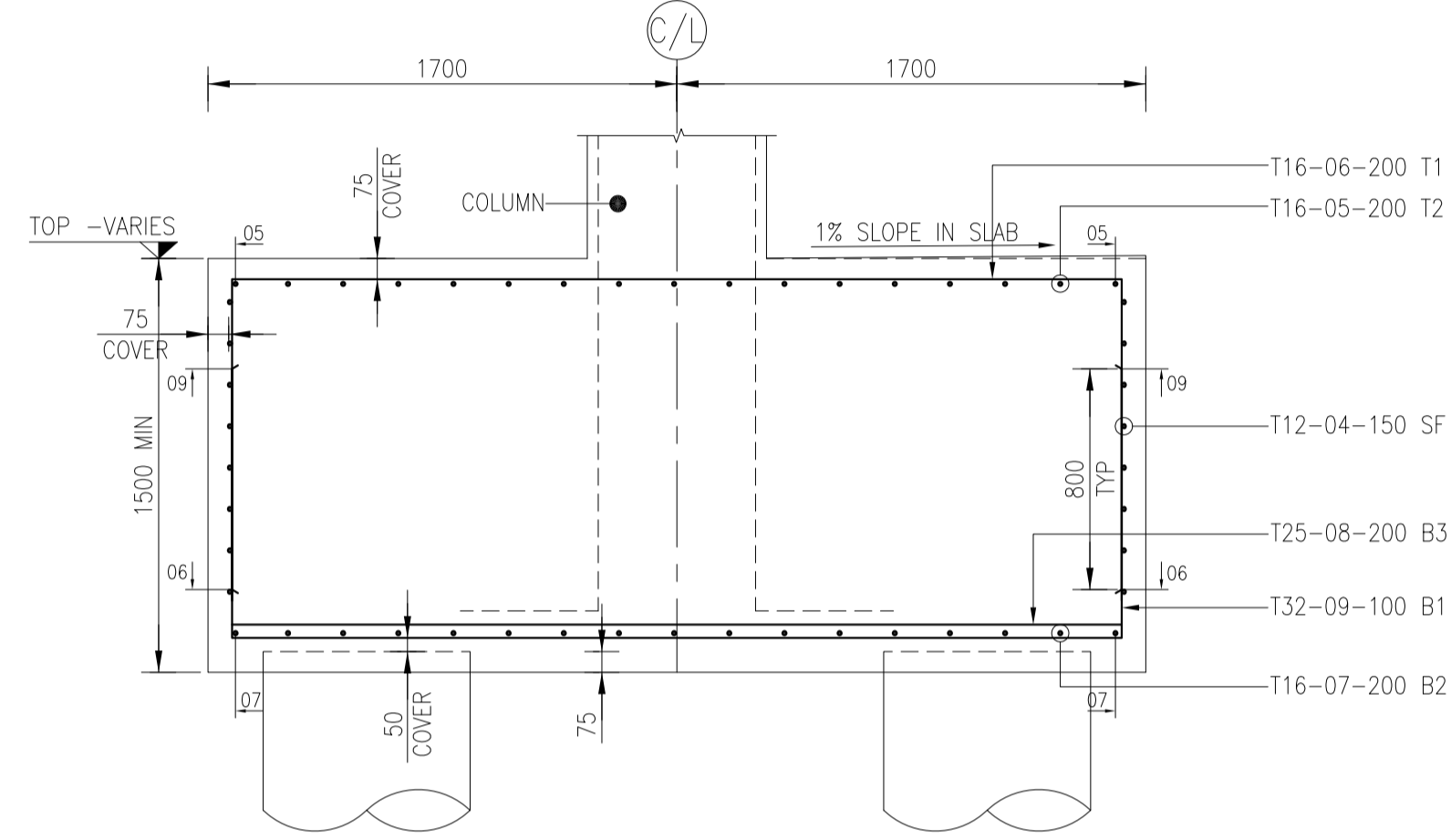


PILECAP	TYPE	Nos	T.O.PILECAP	GRID
PC2	2	4	-0.850	C' ~ D/1 TO 9
PC2	2	4	-0.805	C' ~ C'/1 TO 9
PC2	2	1	-0.765	C/4

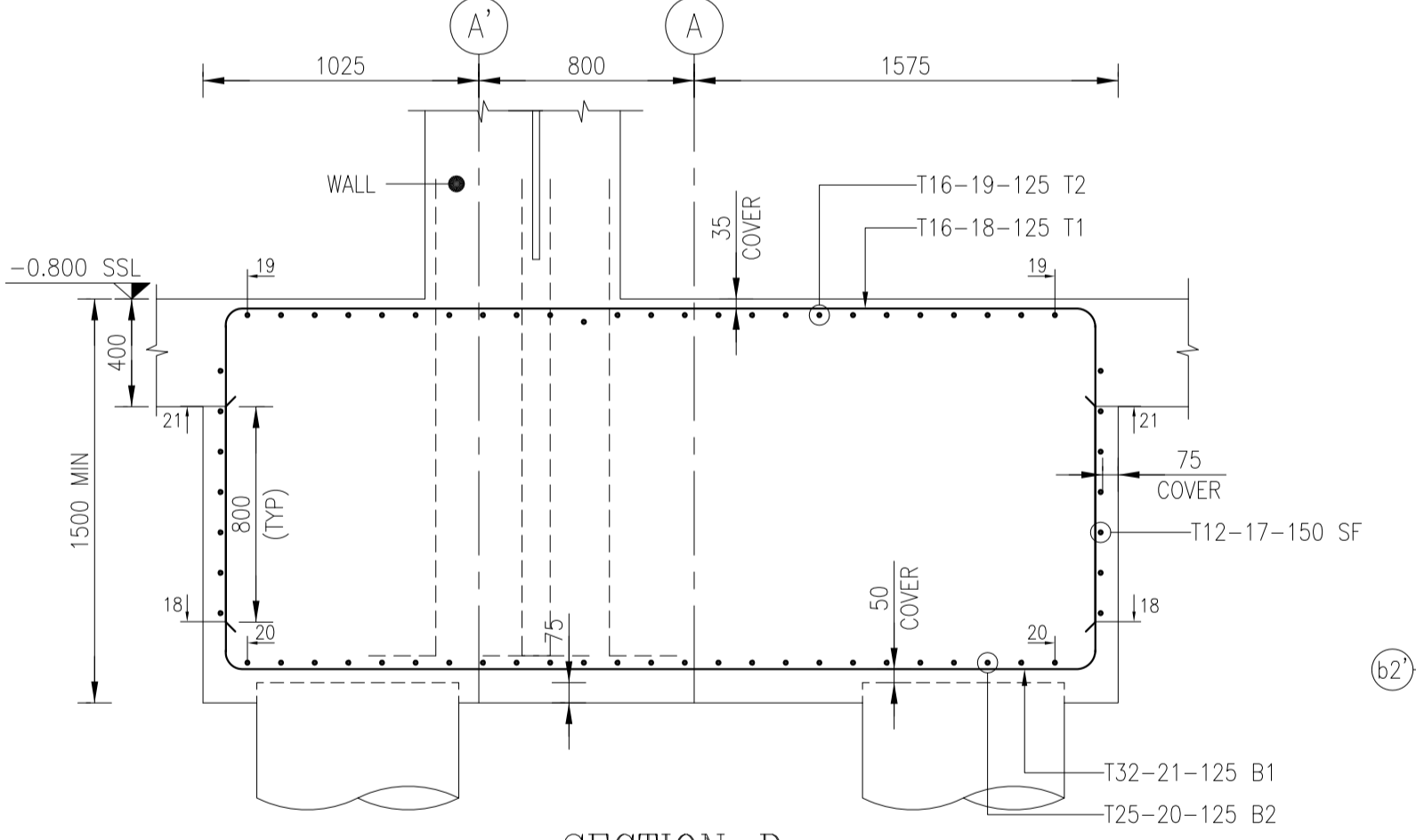
PC2-(TYPE-2)
SCALE 1:25 (9 Nos.)



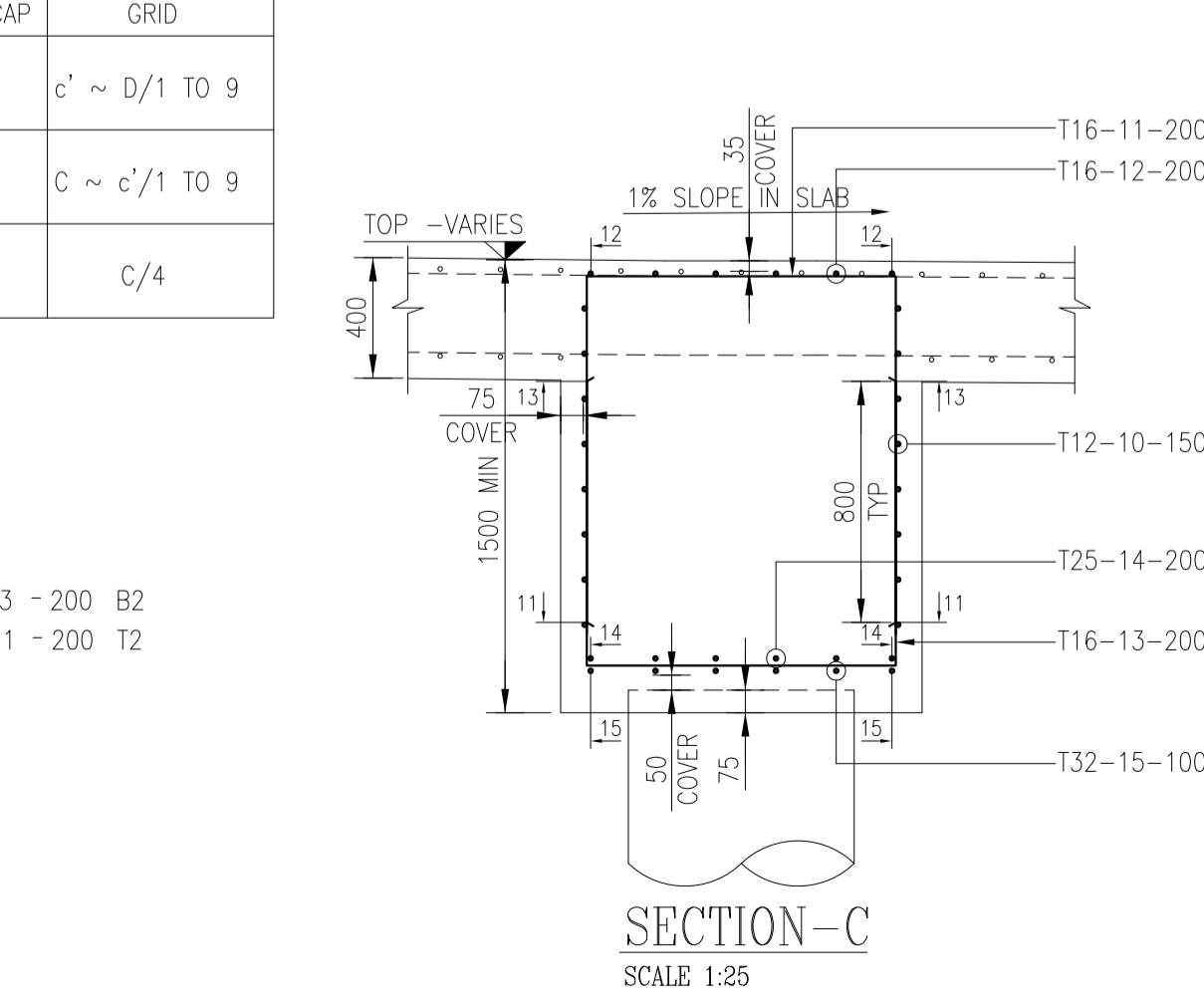
SECTION-A
SCALE 1:25



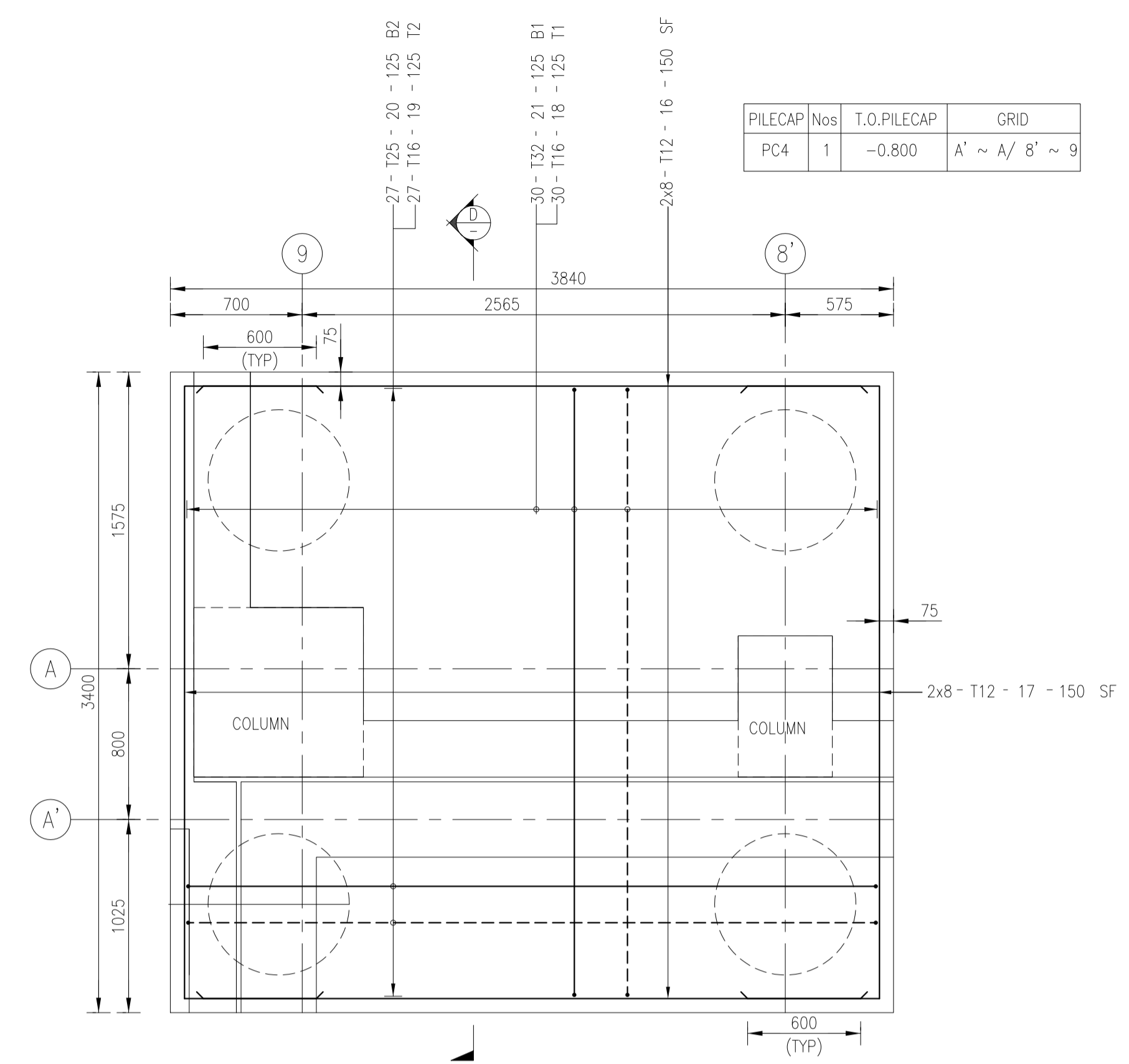
SECTION-B
SCALE 1:25



SECTION-D
SCALE 1:25

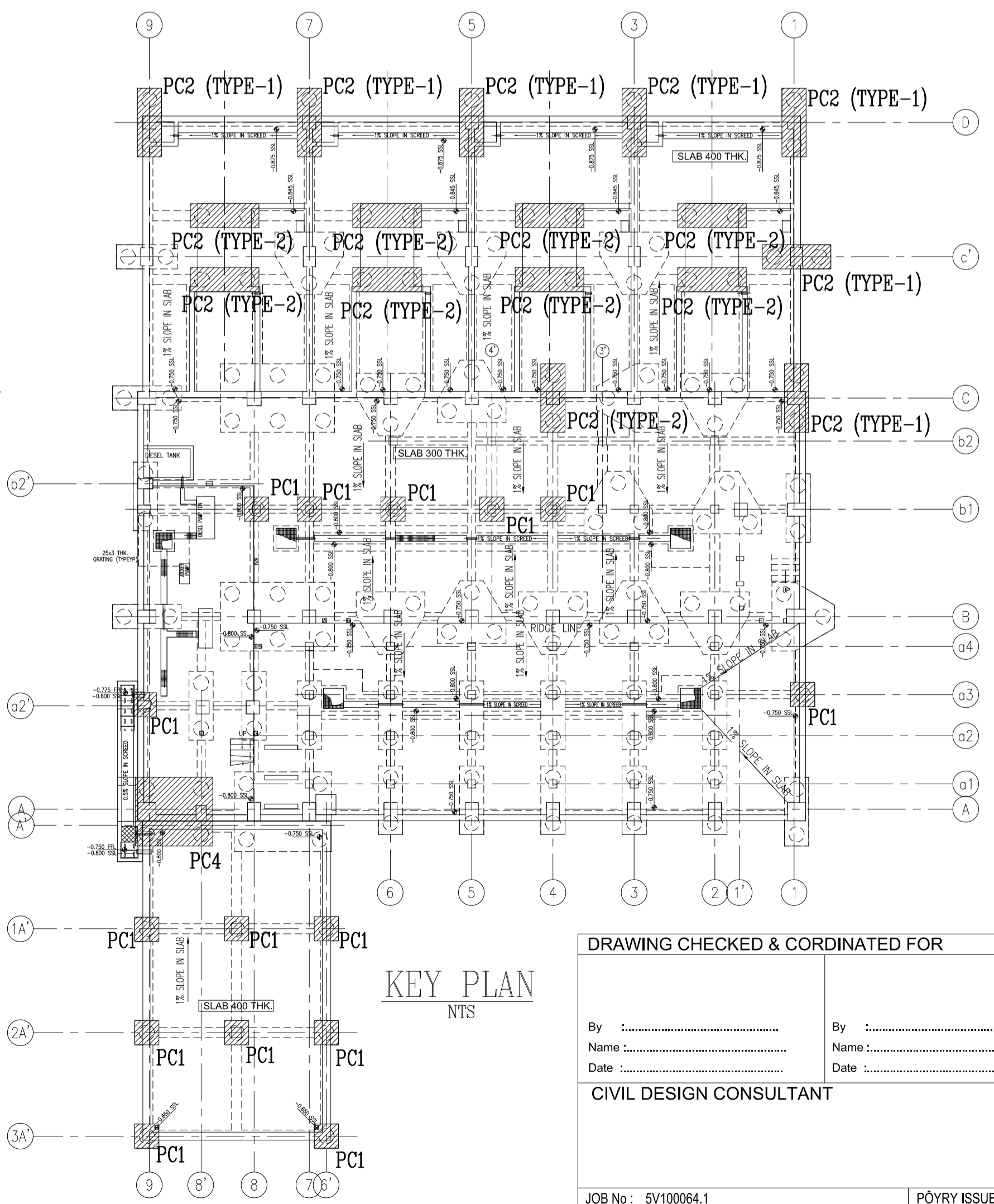


SECTION-C
SCALE 1:25



PILECAP	Nos	T.O.PILECAP	GRID
PC4	1	-0.800	A' ~ A' / B' ~ 9

PILECAP-PC4
SCALE 1:25



KEY PLAN
NTS

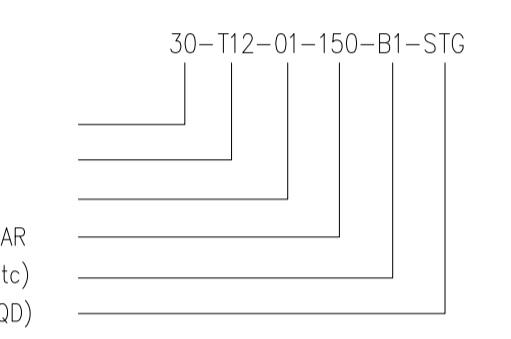
DRAWING CHECKED & COORDINATED FOR	
By:	By:
Name:	Name:
Date:	Date:
CIVIL DESIGN CONSULTANT	
JOB No: 5V100064.1	POYRY ISSUE:

KEY PLAN

GENERAL NOTES:

- ALL DIMENSIONS TO BE CHECKED AND VERIFIED ON SITE.
- ALL DIMENSIONS ARE IN MILLIMETRES(MM) AND LEVELS ARE IN METRES(M).
- FOR GENERAL NOTES AND TYPICAL DETAILS REF. DRG. NO. RE 5300 S 7282 TO 7283.
- SUBSTATION FINISHED GRADE/GATE LEVEL ± 0.000 CORRESPONDS TO $+30.13$ ADD.
- LAP FOR PILECAP REINF. IS TOP HORIZONTALS :- 64 X BAR DIA IF BAR DIA < 19MM
79 X BAR DIA IF BAR DIA > 19MM
BOT. HORIZONTALS :- 49 X BAR DIA IF BAR DIA < 19MM
61 X BAR DIA IF BAR DIA > 19MM
- CONCRETE COVER
PILECAP - EARTH SIDES - 75mm
OTHER SIDES - 50mm

REBAR DETAIL



NO OF BARS
GRADE AND SIZE OF BAR
BAR MARK
SPACING BETWEEN EACH BAR
BAR LAYER (B1,B2,T1,T2 Etc)
BAR ARRANGEMENT (IF REQD)
(REFER ABBREVIATIONS)

7. LEGENDS :

- B - Bottom
- T - Top
- V - Vertical
- H - Horizontal
- FF - Far Face
- NF - Near Face
- EF - Each Face
- SF - Side Face
- HB - Horizontal Bar
- VB - Vertical Bar
- SB - Spacer Bar
- C.J - Construction joint
- ADDL - Additional
- ALT - Alternate
- STG - Staggering
- SSL - Structural Slab Level
- TOC - Top Of Concrete
- TOB - Top Of Beam

REFERENCE DRAWINGS:

- ...GENERAL NOTES AND TYPICAL DETAILS
- ...GENERAL NOTES AND TYPICAL DETAILS
- ...PILECAP RC SCHEDULE
- ...BASEMENT GA AND SECTIONS
- ...BASEMENT FLOOR PLAN
- ...BASEMENT FLOOR PLAN SECTIONS

SHOP DRAWINGS REFERENCE:

REV	DATE	DESCRIPTION	DRAWN	CHECKED	APPROVED

CLIENT:

CONSULTANT:

CONTRACTOR:

NAME	DATE	PROJECT NAME:
PREPARED		
DRAWN		
CHECKED		CONTRACT NO.:
APPROVED		TITLE
SHEET SIZE	A1	SCALE 1:25
PILECAP REINF. DETAILS ALONG GRID: 3A' - D / 1 - 9		
CAD-FILE	DRAWG. NO. 013	REV. CURRENT TOTAL NO SHEET SHEET